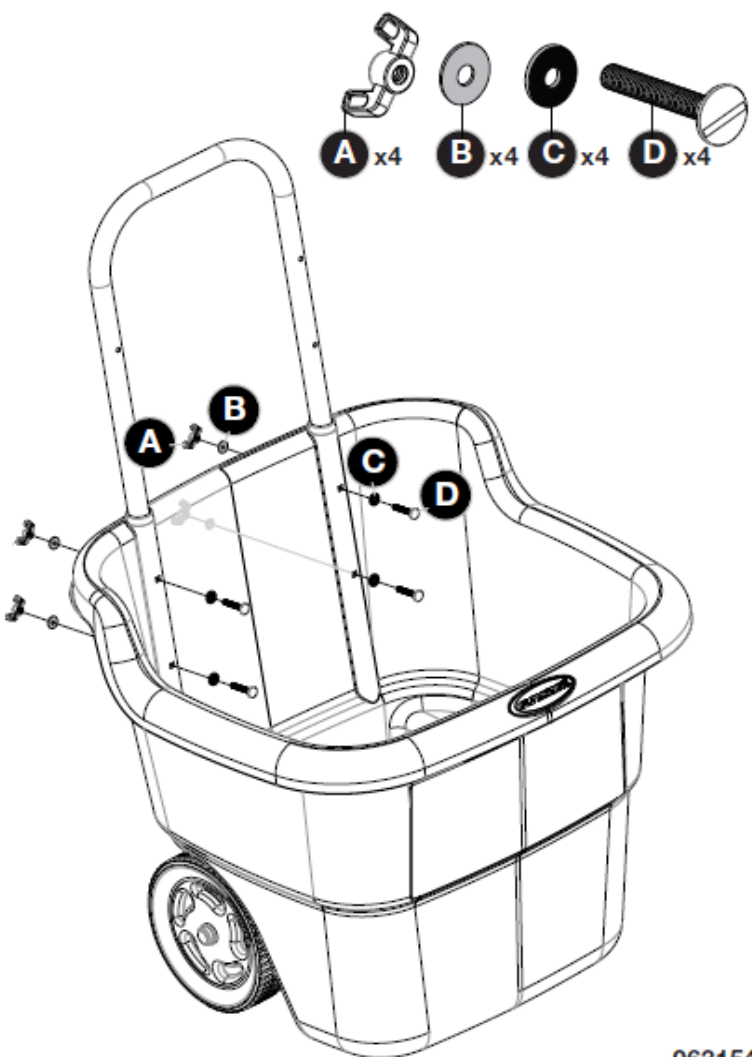


Line up appropriate holes on handle with holes on garden cart.  
Attach handle to cart using four bolts (D), four rubber washers (C), four washers (B) and four wing nuts (A).



0631542